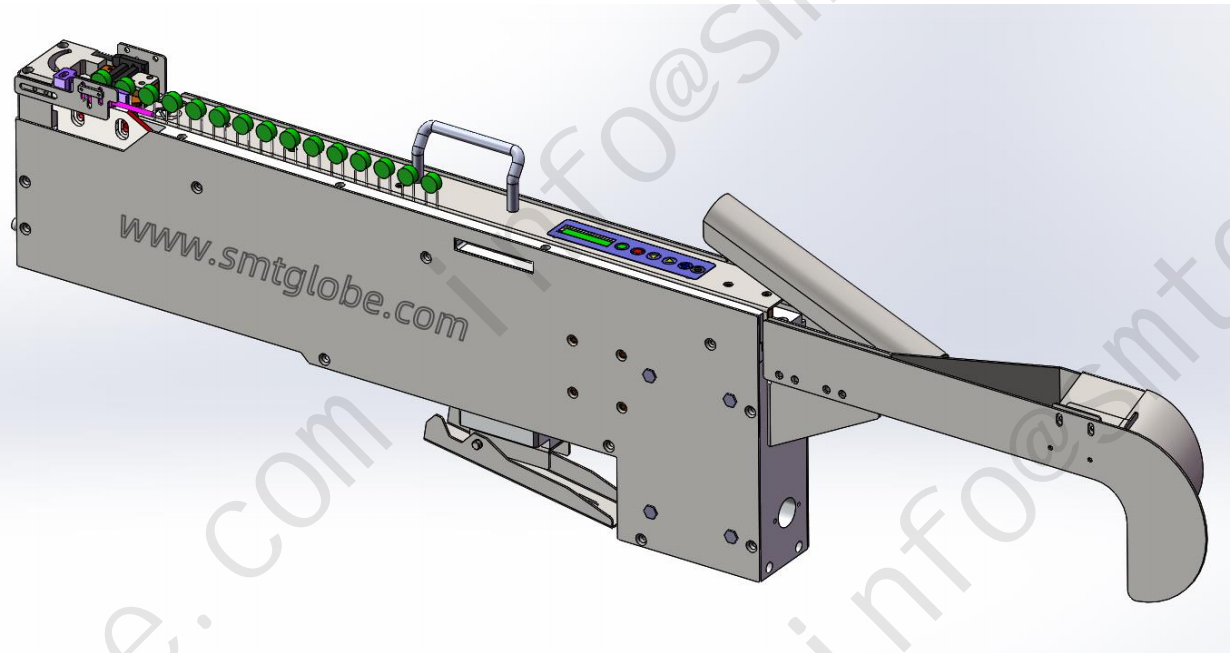


## Description

The Juki radial tape feeder is an upright, vibratory tape reel system designed to reliably feed radial electronic components for flexible SMT assembly. This feeder utilizes gear to orient chip parts and advance the tape, delivering components in sequence to the pick-up location.



## Specification

Model	Radial Tape Feeder	ETE-RT03
Dimension	Length x Width x Height	720x92x165mm
	Weight	10Kg
Applicable components	Material Type	Electrolytic Capacitor, Y Capacitor, Square Capacitor, Terminal, Spring, Bending Resistor
	Overall Dimension	2x2x3-15x15x30mm
	Wire Diameter	Core 0.3-1.0mm
	Cutting Length	3-6mm (length adjustable)
	Tape paper hole distance	12.7mm and 15mm (These two types are not interchangeable)
Structure Part	Feeding Method	Vertical Braiding Belt Feeding
	Feeding	Motorized feeding with two feed wheels
	Cutting function	Adjustable cutting length
	Shaping function	Optional function. Change tooling based on different component lead span
	Bending function	Possibility of 90° bending of components (this function is optional)
	Material Positioning	Split piece
	Paper belt discharge	Rotary transfer by means of feed wheels (tail can be optionally cut off)
Electric part	Working Voltage	24V
	Average current/peak current	4A/6A
	Working air pressure	0.4-0.6Mpa



## Welcome inquiry

1, Please visit : [www.smtglobe.com](http://www.smtglobe.com)

2, Welcome to our factory in China

7, Looking forward to your email: [info@smtglobe.com](mailto:info@smtglobe.com)

8. Wechat/Whatsapp/skype: +86 13825296910